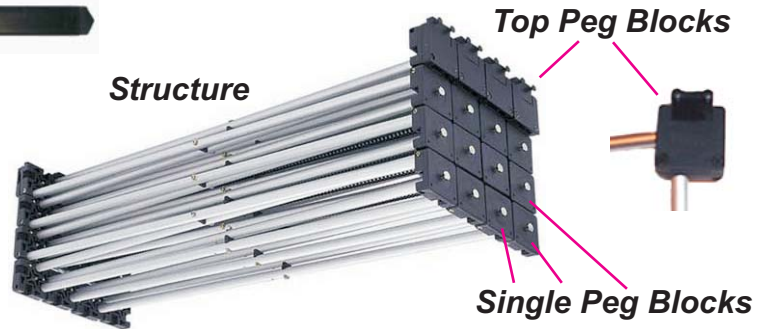
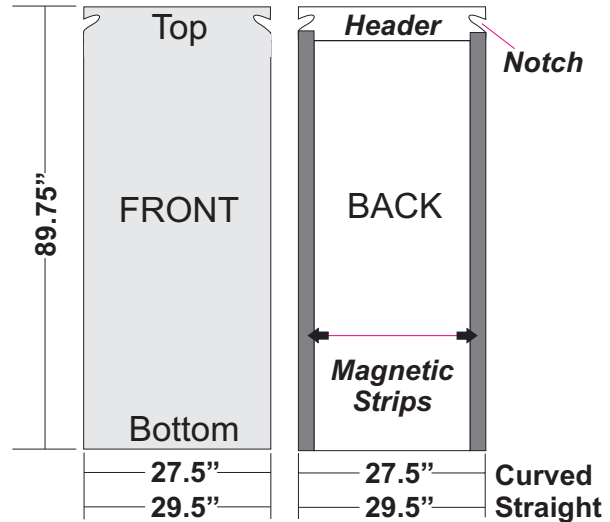
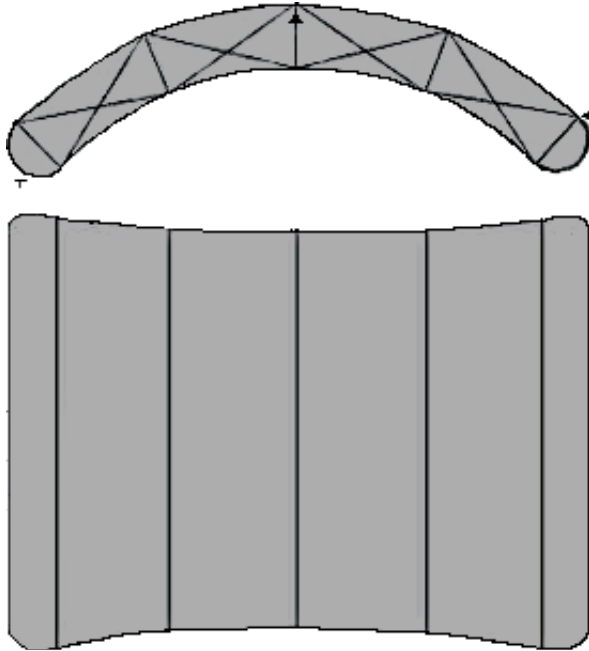


# Camm Display Wall

## Curved and Straight 3x3 and 4x3



1. Remove all pieces from the case.
2. Expand the **Structure** with the black **Top Peg Blocks** on the top.
3. The **Channel Bars** fit on the front and back sides of the structure from the top to the bottom, 3 per column. Place each **Channel Bar** by putting its point into the hole on the bottom of the **Top Peg Block**. Next, slide the other end of the **Channel Bar** onto the **Single Peg Block** from the side, locking it in place. Continue placing all the bars down the front and back sides of the Structure.
4. Use the dimensions above to create your graphics for the front panels: 27.5" (70cm) wide for the curved Display Wall and 29.5" (75cm) wide for the straight unit. Both units use 26.4" wide panels for the sides.
5. The white plastic panels that come with the Camm Display Walls are not cut to size, and require trimming. First, mount your graphics to them by laminating or using double-sided tape. It is a good idea to make the the graphics with a quarter inch overlap on each side, and then trim them after mounting.
6. After mounting, trim the plastic to the edges of your graphics. Use adhesive to apply the magnetic strips along the sides of each panel. Also stick the **Header** piece to the top back of each panel, and cut out the **Header Notches** on the sides of your graphic panels.

The panels are now ready to hang. Curve the side panels so that they wrap around the outside of the **Structure**, connecting to the front and the back sides. Clip the lights to the top bars of the **Structure**.