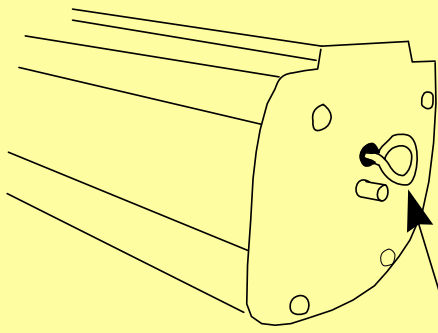
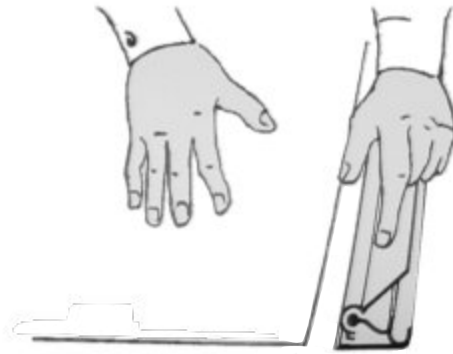


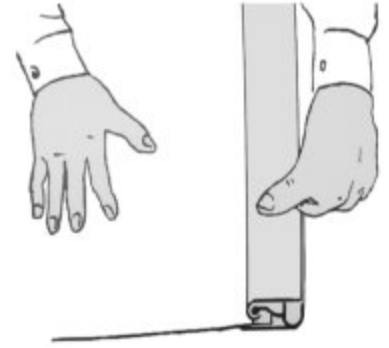
# ROLLSC - Standard Roll Up Installation



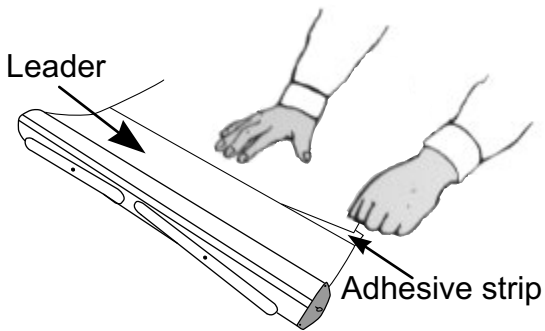
**IMPORTANT** - Do not remove the Locking Pin until the banner has been installed.



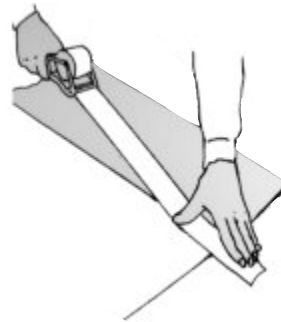
1. Open the clamping top bar by pulling the the flat front piece up and away from the back piece. This opens a slot along the bottom.



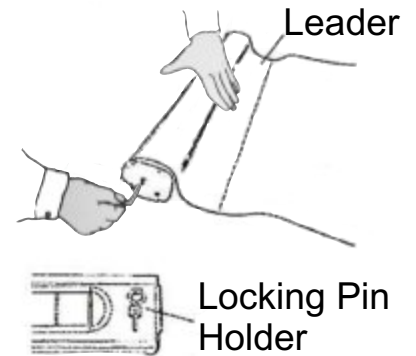
2. Carefully line up the print with the Top Bar on a table and slide the print into the open slot. Push down on the Top Bar to clamp.



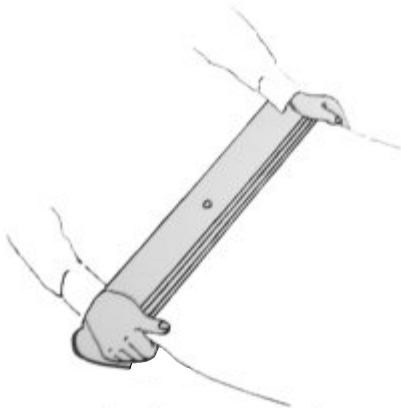
3. Make sure the print is cut straight on the bottom, then adhere it evenly to the white plastic Leader.



4. **IMPORTANT:** Reinforce the included Adhesive Strip by using a 2" packing tape, half on the print and half on the Leader.

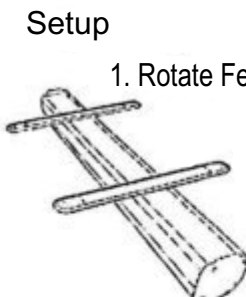


5. With one hand, hold the banner in place against the stand. Remove the Locking Pin from the side.

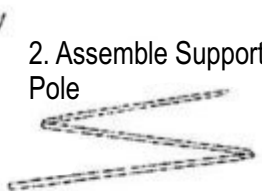


6. The inner spring is now armed, and will pull the banner into the base with great force. Carefully guide the print in with a hand on each side.

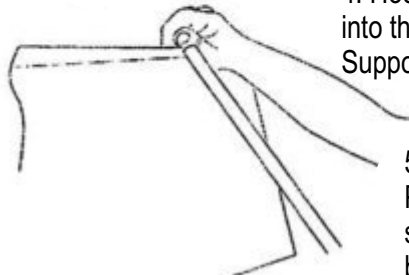
**Setup**



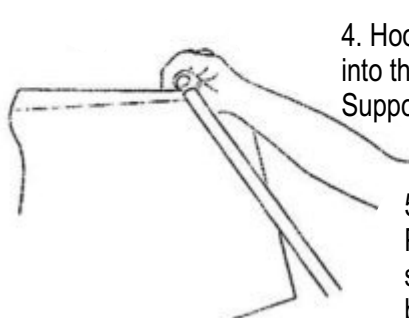
1. Rotate Feet



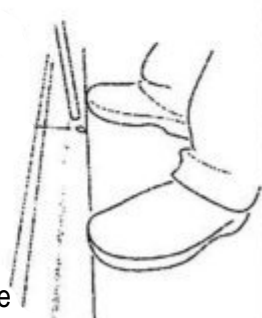
2. Assemble Support Pole



3. Stand on Feet and pull out the graphics



4. Hook the Top Bar into the top of the Support Pole



5. Place the Support Pole into the base. Make sure the pole slides to the bottom of the hole

